

## MEPC131 – Spread Controller



- Proportional control for up to 3 hydraulic solenoid coils
- ON/OFF control for up to 2 lightings
- 1 extra ON/OFF control
- Adjustable maximum and minimum output current
- Adjustable ramp up/down
- Adjustable dither frequency

### 1. Description

MEPC131 spread controller provides stable proportional control with its adjustable maximum and minimum output current, ramp up/down and dither frequency for 3 hydraulic solenoid coils. In addition to proportional control, MEPC131 also provides ON/OFF control for 2 lightings and provides an extra single ON/OFF output.

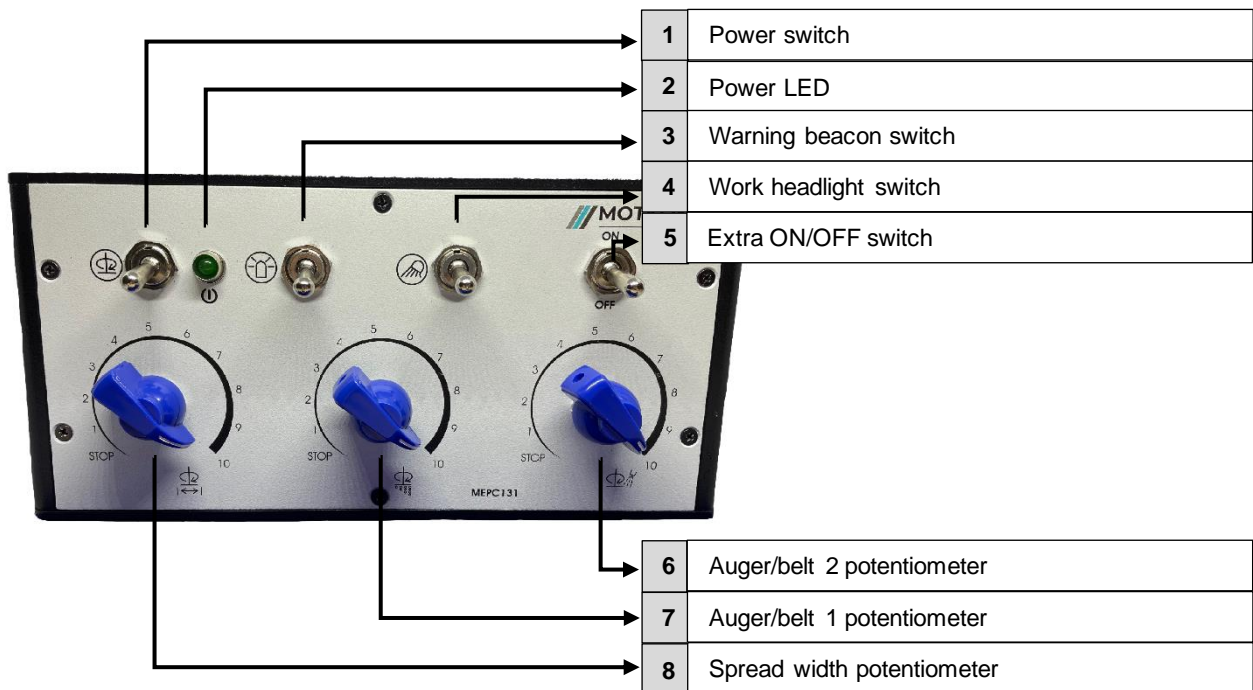
### 2. Area of use

- Road maintenance vehicles
- Municipal vehicles
- Agricultural and forestry machines
- Construction trucks

### 3. Technical data

	Unit	Description, value
Supply voltage	V DC	10-30
Dimensions	mm	132 x 132 x 103
Connection type		16-pin connector
Protection class		IP 51
Outputs	A	Solenoid coils (proportional): 3 x 2,5 (max.) Lightings: 2 x 2,5 (max.) Extra ON/OFF output: 1 x 2,5 (max.)
Dither frequency	Hz	Programmable in the interval [100, 500]. Please contact supplier.

### 4. Functions



## 5. Connections

16-pin connector:

Pin Number	Connection	Pin Number	Connection
1	Spread width solenoid	9	Extra ON/OFF output (+)
2	Spread width solenoid	10	Warning beacon (-)
3	Auger/belt solenoid 1	11	Work headlight (-)
4	Auger/belt solenoid 1	12	Extra ON/OFF output (-)
5	Auger/belt solenoid 2	13	n/a
6	Auger/belt solenoid 2	14	n/a
7	Warning beacon (+)	15	GND (-)
8	Work headlight (+)	16	n/a

**Power connection:** Brown: Vcc (+), Blue: GND (-)

[info@motkon.com](mailto:info@motkon.com)

[www.motkon.com](http://www.motkon.com)

© 2020 Motkon Elektronik, Ankara  
Tüm hakları saklıdır.

Bu belgede verilen bilgiler sadece ürünün tanıtımı içindir ve bu bilgiler hukuki anlamda garanti edilmiş olarak algılanıp, kullanıcıyı kendi test ve değerlendirmelerinden alkoymamalıdır. Bu ürün sürekli gelişime tabidir ve bu yüzden bu ürünün özelliklerini değiştirme hakkımız saklıdır.