

MESP002 – All-in-One Controller



- 4-way control with joystick
- Proportional control for up to 2 hydraulic solenoid coils
- ON/OFF control for up to 7 hydraulic solenoid coils
- Float mode
- ON/OFF control for 1 lighting
- Reverse polarity and overcurrent/voltage protection

1. Description

MESP002 all-in-one controller provides stable control of both **salt spreader** and **snow plow** with its 4-way joystick, ON/OFF control for up to 7 hydraulic solenoid coils, proportional control for up to 2 hydraulic solenoid coils and float mode. Also providing ON/OFF control for 1 lighting and being protected against reverse polarity and overcurrent/voltage, MESP002 operates between 10-30V DC.

2. Area of use

- Salt spreader
- Snow plow

3. Technical data

	Unit	Description, value
Supply voltage	V DC	10-30
Dimensions	mm	220 x 190 x 120
Connection type		16-pin connector
Protection class		IP 51
Outputs	A	Solenoid coils (proportional): 2 x 2,5 (max.) Solenoid coils (ON/OFF): 7 x 2,5 (max.) Lighting: 1 x 2,5 (max.)

4. Functions



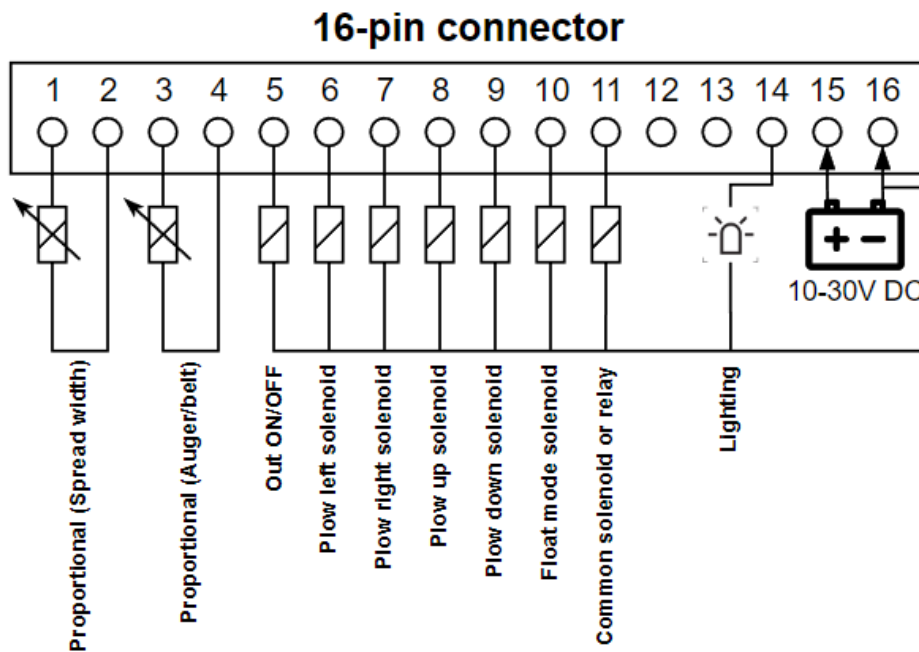
1	Float mode ON/OFF
2	Lighting ON/OFF
3	OUT Hydraulic Pressure ON/OFF
4	Power ON/OFF
5	Joystick
6	Spread width potentiometer
7	Auger/belt potentiometer

5. Connections

- 16-pin connector

Pin Number	Connection	Pin Number	Connection
1	Proportional (Spread width)	9	Plow down solenoid
2	Proportional (Spread width)	10	Float mode solenoid
3	Proportional (Auger/belt)	11	Common solenoid or relay
4	Proportional (Auger/belt)	12	N/A
5	Out ON/OFF	13	N/A
6	Plow left solenoid	14	Lighting (+)
7	Plow right solenoid	15	Main Vcc (+)
8	Plow up solenoid	16	Main GND (-)

- Connection diagram



info@motkon.com

www.motkon.com

© 2022 Motkon Elektronik, Ankara
All rights reserved.

Data is provided for product description only, and must not be interpreted as warranted characteristics in the legal sense. The information should not relieve users from the duty of conducting their own tests and evaluations.